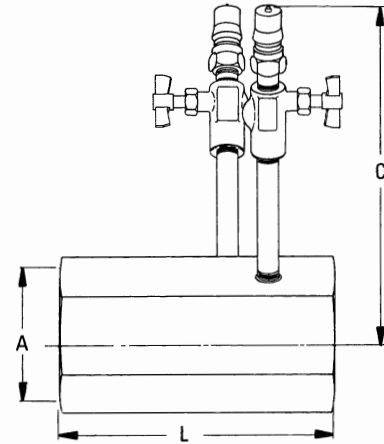
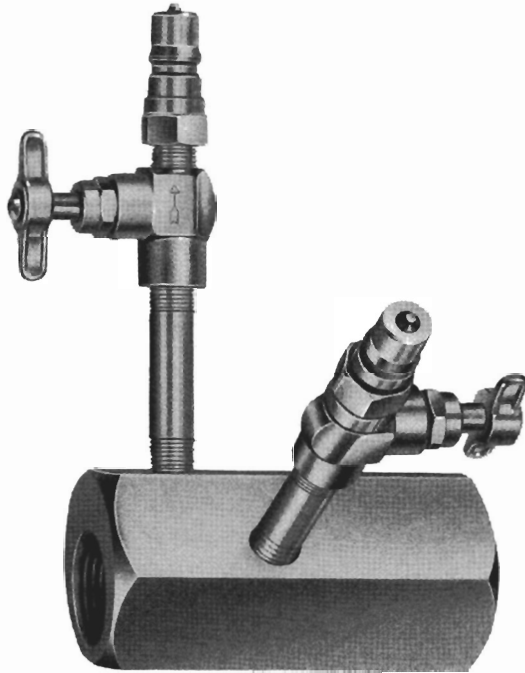


# Hyspan VENTURI

## FLOW MEASUREMENT SYSTEM / SERIES V1(BRASS & BRONZE)



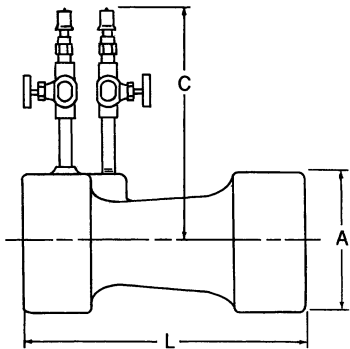
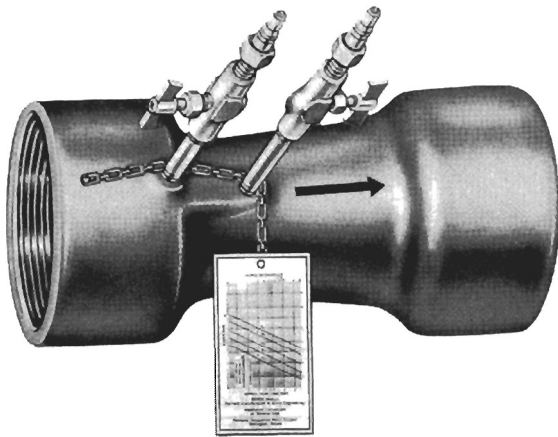
The Series V1 Brass Venturi in sizes 1/2" to 1" is shown above. It is rated to handle pressures to 250 psig and temperatures to +250°F. Each brass venturi is precision made to assure accuracy. Shipped with identification tags and fitting kit (brass nipples, brass valves and color-coded quick connect couplings) attached.

All **HYSPAN** Venturis are shipped with a permanently attached tag which shows the correct capacity curve for converting meter readings to gpm.

All dimensions in inches. **BRASS 1/2" TO 1"**

\* For pressure rating of fittings, see page 25.

Pipe Size	Beta Ratio	Size Code	End Code	COMPLETE PART NUMBER	A Diam.	C	L	End Connection	Weight each (lbs.)	Rating PSI at +250°F.*
<b>1/2</b>	251	08	31	BR12251-08-31	1.50	5.13	3.40	1/2" NPT	2.0	250
	323	08	31	BR12323-08-31	1.50	5.13	3.40	1/2" NPT	2.0	250
	402	08	31	BR12402-08-31	1.50	5.13	3.40	1/2" NPT	2.0	250
<b>3/4</b>	220	12	31	BR12220-12-31	1.75	5.26	3.40	3/4" NPT	2.5	250
	290	12	31	BR12290-12-31	1.75	5.26	3.40	3/4" NPT	2.5	250
	390	12	31	BR12390-12-31	1.75	5.26	3.40	3/4" NPT	2.5	250
	425	12	31	BR12425-12-31	1.75	5.26	3.40	3/4" NPT	2.5	250
	550	12	31	BR12550-12-31	1.75	5.26	3.40	3/4" NPT	2.5	250
<b>1</b>	298	16	31	BR12298-16-31	2.00	5.38	4.12	1" NPT	3.0	250
	358	16	31	BR12358-16-31	2.00	5.38	4.12	1" NPT	3.0	250
	448	16	31	BR12448-16-31	2.00	5.38	4.12	1" NPT	3.0	250
	567	16	31	BR12567-16-31	2.00	5.38	4.12	1" NPT	3.0	250
	705	16	31	BR12705-16-31	2.00	5.38	4.12	1" NPT	3.0	250



## HOW TO ORDER

To order a **HYSpan** Venturi, state the complete part number, as shown in color below. The part number consists of the following elements: first, a basic assembly number which designates the type of venturi; second, the beta ratio; third, the size; and fourth, the end code. Below is a typical example.

End Code

**31** = NPT

Complete Part Number

**BR12374-20-31**

Basic Assembly Number

Beta Ratio

Size Code

End Code

The Series V1 Bronze Venturi in sizes 1¼" to 3" is shown above. It is rated to handle pressures to 250 psig and temperatures to +250°F. Each bronze venturi is precision made to assure accuracy. Shipped with identification tags and fitting kit (brass nipples, brass valves and color-coded quick connect couplings) attached.

All dimensions in inches.

**BRONZE 1¼" TO 3"**

\* For pressure rating of fittings, see page 25.

Pipe Size	Beta Ratio	Size Code	End Code	COMPLETE PART NUMBER	A Diam.	C	L	End Connection	Weight each (lbs.)	Rating PSI at +250°F.*
<b>1¼</b>	374	20	31	BR12374-20-31	2.09	5.50	6.10	1¼" NPT	4.0	250
	498	20	31	BR12498-20-31	2.09	5.50	6.10	1¼" NPT	4.0	250
	588	20	31	BR12588-20-31	2.09	5.50	6.10	1¼" NPT	4.0	250
	725	20	31	BR12725-20-31	2.09	5.50	6.10	1¼" NPT	4.0	250
<b>1½</b>	427	24	31	BR12427-24-31	2.34	5.63	6.60	1½" NPT	5.0	250
	563	24	31	BR12563-24-31	2.34	5.63	6.60	1½" NPT	5.0	250
	698	24	31	BR12698-24-31	2.34	5.63	6.60	1½" NPT	5.0	250
<b>2</b>	393	32	31	BR12393-32-31	2.94	5.88	7.83	2" NPT	6.0	250
	483	32	31	BR12483-32-31	2.94	5.88	7.83	2" NPT	6.0	250
	636	32	31	BR12636-32-31	2.94	5.88	7.83	2" NPT	6.0	250
<b>2½</b>	480	40	31	BR12480-40-31	3.55	6.17	8.22	2½" NPT	9.0	250
	607	40	31	BR12607-40-31	3.55	6.17	8.22	2½" NPT	9.0	250
	750	40	31	BR12750-40-31	3.55	6.17	8.22	2½" NPT	9.0	250
<b>3</b>	478	48	31	BR12478-48-31	4.27	6.49	8.31	3" NPT	12.0	250
	610	48	31	BR12610-48-31	4.27	6.49	8.31	3" NPT	12.0	250
	750	48	31	BR12750-48-31	4.27	6.49	8.31	3" NPT	12.0	250